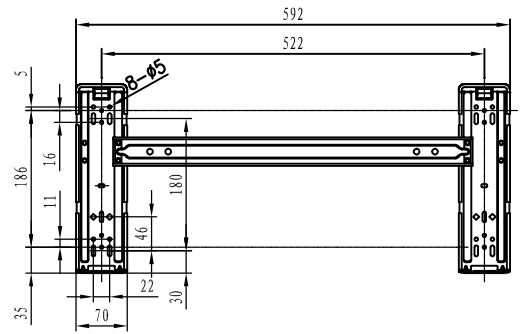
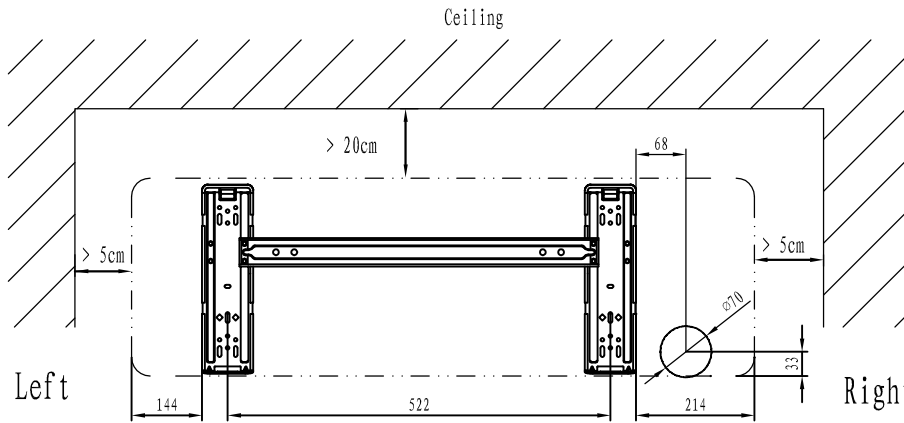
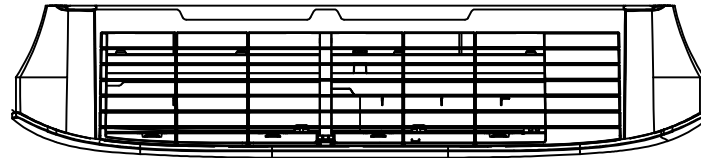
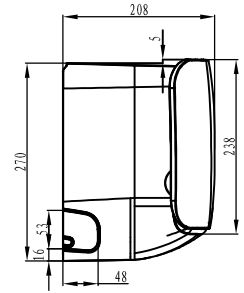
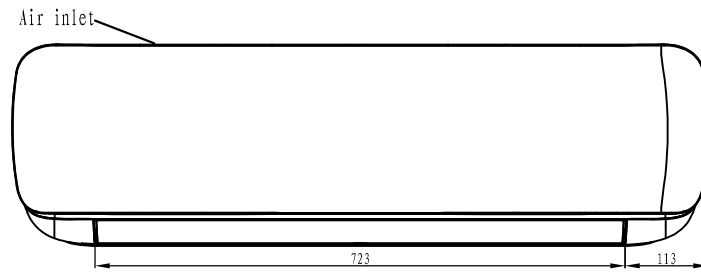
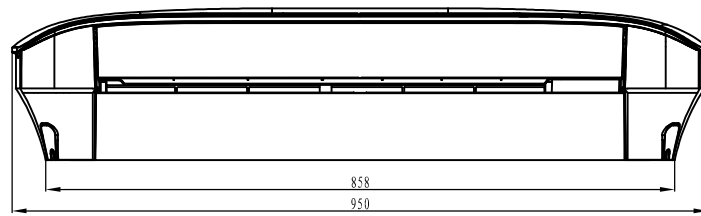
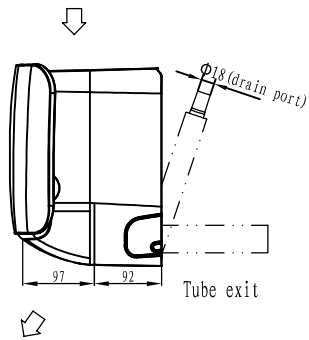
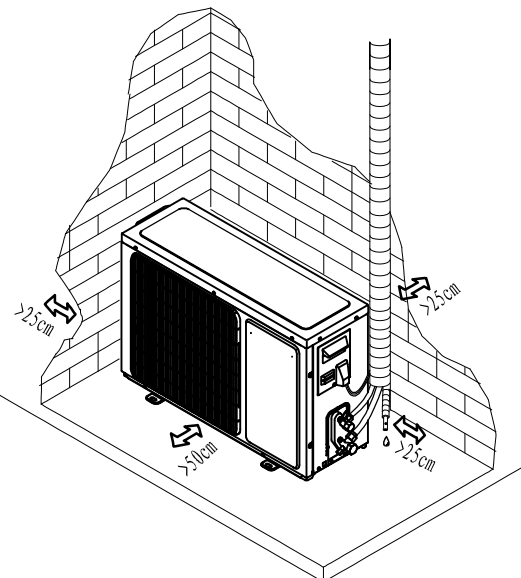
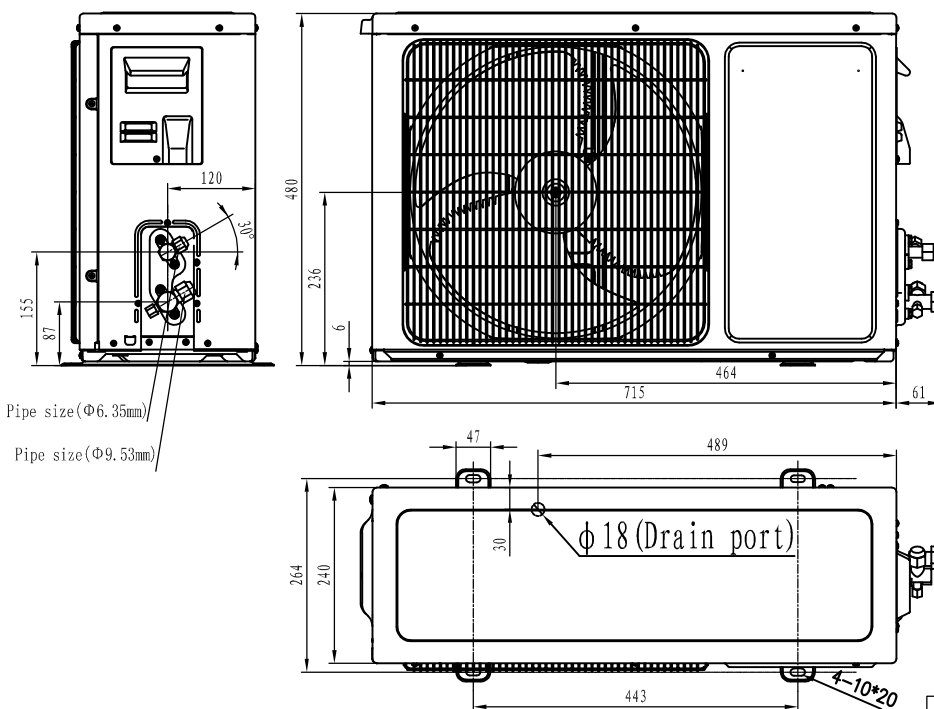


AST-09UR4SVETG10  
AST-12UR4SVETG10



AST-09UR4SVETG10	Liquid Side ( $\phi 6.35\text{mm}$ )
AST-12UR4SVETG10	Gas Side ( $\phi 9.53\text{mm}$ )



AST-09UR4SVETG10	Refrigerant (R410A)
AST-12UR4SVETG10	